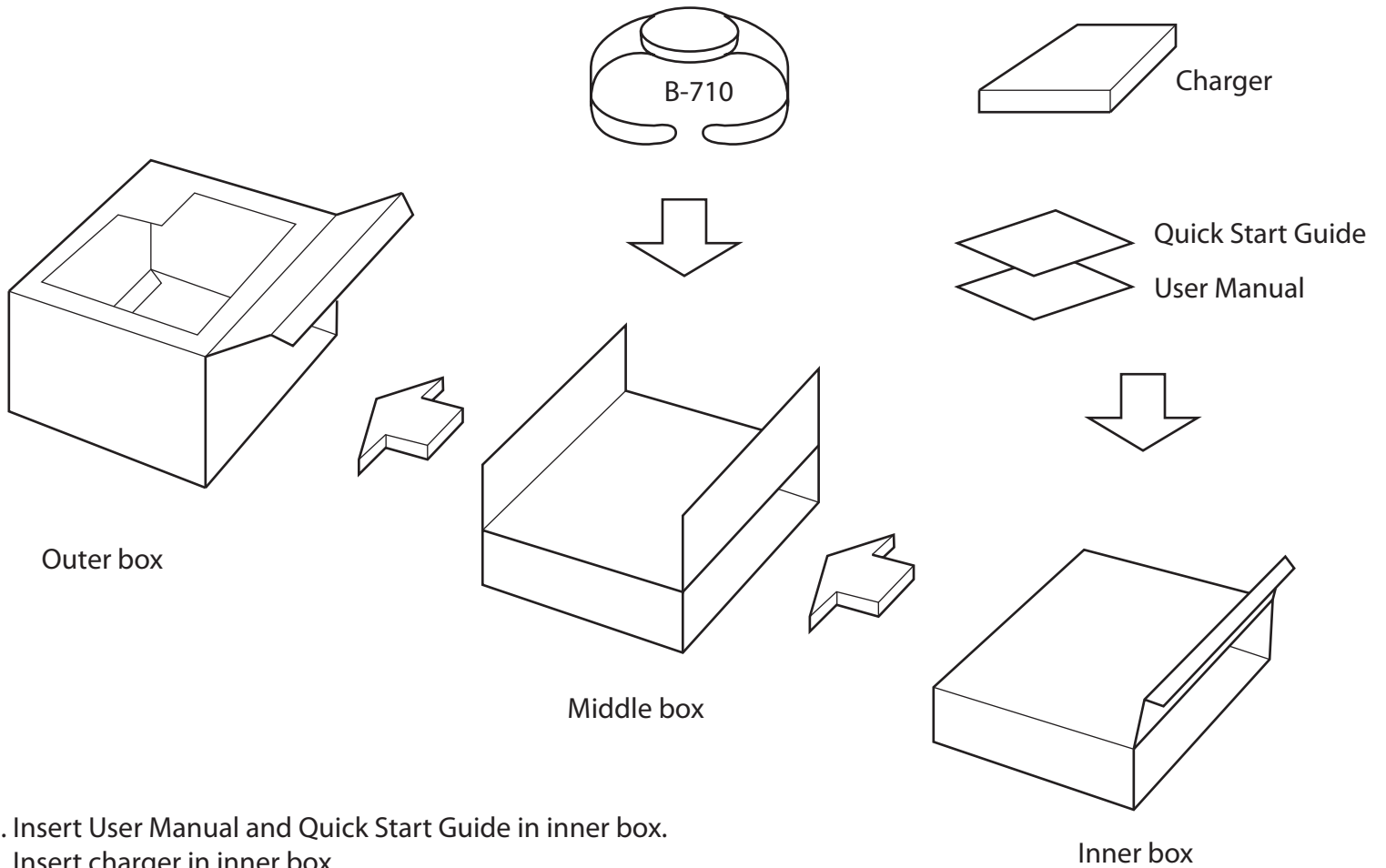


Final package assembly instructions for TIME WARRIOR Model B-710



1. Insert User Manual and Quick Start Guide in inner box.
2. Insert charger in inner box.
3. Close inner box.
4. Place B-710 on supporting loop.
5. Insert B-710 and supporting loop into top of middle box.
6. Insert inner box in lower area of middle box.
7. Insert middle box in outer box.
8. Close outer box.

SCOTT ROBERT DAWSON 27098 Hwy 48, RR 2, Sutton West, Ontario L0E 1R0 +1 647 885 0885 DESIGN	
Project	Time Warrior B-710 Eo
Sheet	Final packaging assembly Instructions
Drawn By:	Date:
Version:	